

1. Features

- Micropower consumption for battery powered applications
- Omnipolar, output switches with absolute value of North or South pole from magnet
- Operation down to **1.8V**
- High sensitivity for direct reed switch replacement applications
- CMOS output

2. Chopper stabilized amplifier stage2. Description

The DH471 Omnipolar Hall effect sensor IC is fabricated from mixed signal CMOS technology .It incorporates advanced chopper-stabilization techniques to provide accurate and stable magnetic switch points.

The circuit design provides an internally controlled clocking mechanism to cycle power to the Hall element and analog signal processing circuits. This serves to place the high current-consuming portions of the circuit into a “Sleep” mode. Periodically the device is “Awakened” by this internal logic and the magnetic flux from the Hall element is evaluated against the predefined thresholds. If the flux density is above or below the Bop/Brp thresholds then the output transistor is driven to change states accordingly. While in the “Sleep” cycle the output transistor is latched in its previous state. The design has been optimized for service in applications requiring extended operating lifetime in battery powered systems.

The output transistor of the DH471 will be latched on (Bop) in the presence of a sufficiently strong South or North magnetic field facing the marked side of the package. The output will be latched off (Brp) in the absence of a magnetic field.

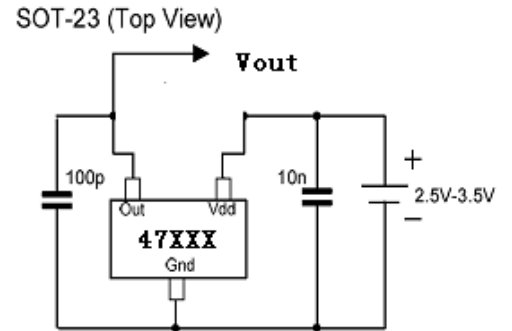
3. Applications

- Solid state switch
- Handheld Wireless Handset Awake Switch
- Lid close sensor for battery powered devices

- Magnet proximity sensor for reed switch replacement in low duty cycle applications

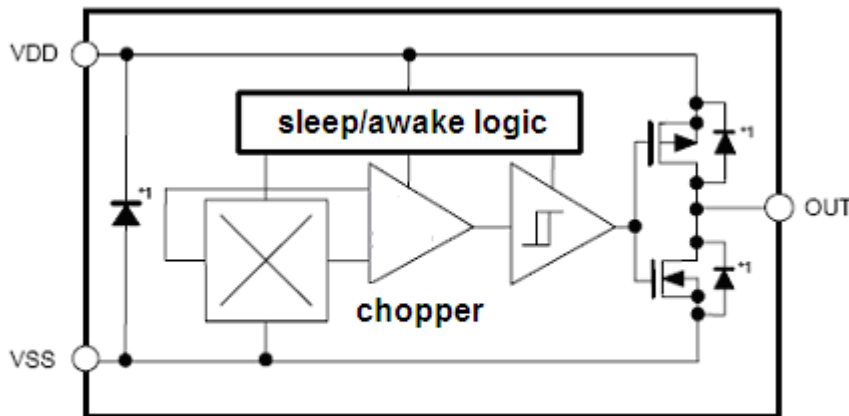
4. Typical Application Circuit

Innosens's pole-independent sensing technique allows for operation with either a north pole or south pole magnet orientation, enhancing the manufacturability of the device. The state-of-the-art technology provides the same output polarity for either pole face.



It is strongly recommended that an external bypass capacitor be connected (in close proximity to the Hall sensor) between the supply and ground of the device to reduce both external noise and noise generated by the chopper-stabilization technique. This is especially true due to the relatively high impedance of battery supplies.

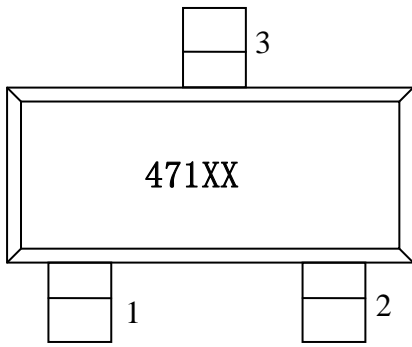
5. Functional Block Diagram



*1. Parasitic diode

6. Pinning

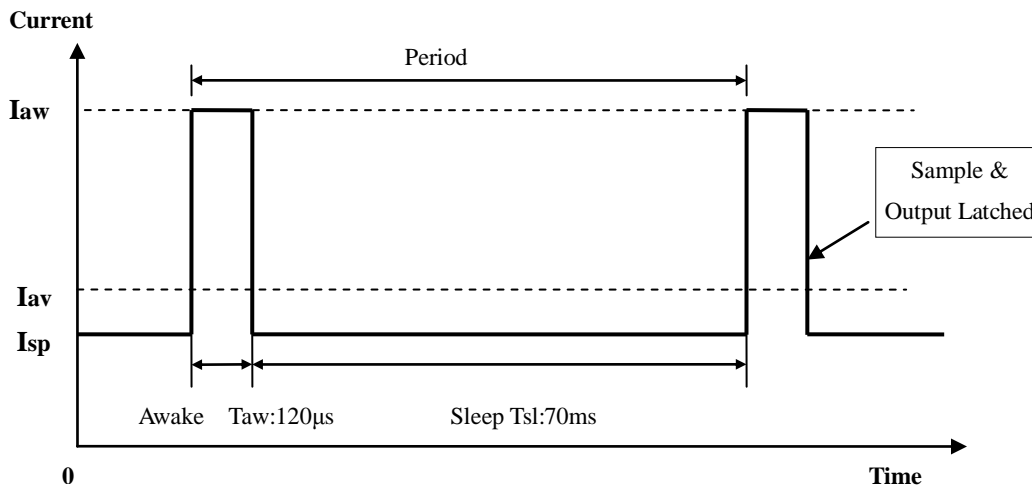
Mark View



Pin Description

| NAME | NO | STATUS | DESCRIPTION |
|------|----|--------|--------------|
| Vdd | 1 | P | Power Supply |
| Out | 2 | O | output |
| Gnd | 3 | P | IC Ground |

7. Internal Timing Circuit



8. Absolute Maximum Ratings

| Parameter | Symbol | Value | Units |
|-----------------------------|-----------|------------|-------------|
| Supply Voltage(operating) | V_{DD} | 6 | V |
| Supply Current | I_{DD} | 5 | mA |
| Output Voltage | V_{OUT} | 6 | V |
| Output Current | I_{OUT} | 5 | mA |
| Operating Temperature Range | T_A | -40 to 85 | $^{\circ}C$ |
| Storage Temperature Rang | T_S | -50 to 150 | $^{\circ}C$ |
| ESD Sensitivity | - | 4000 | V |

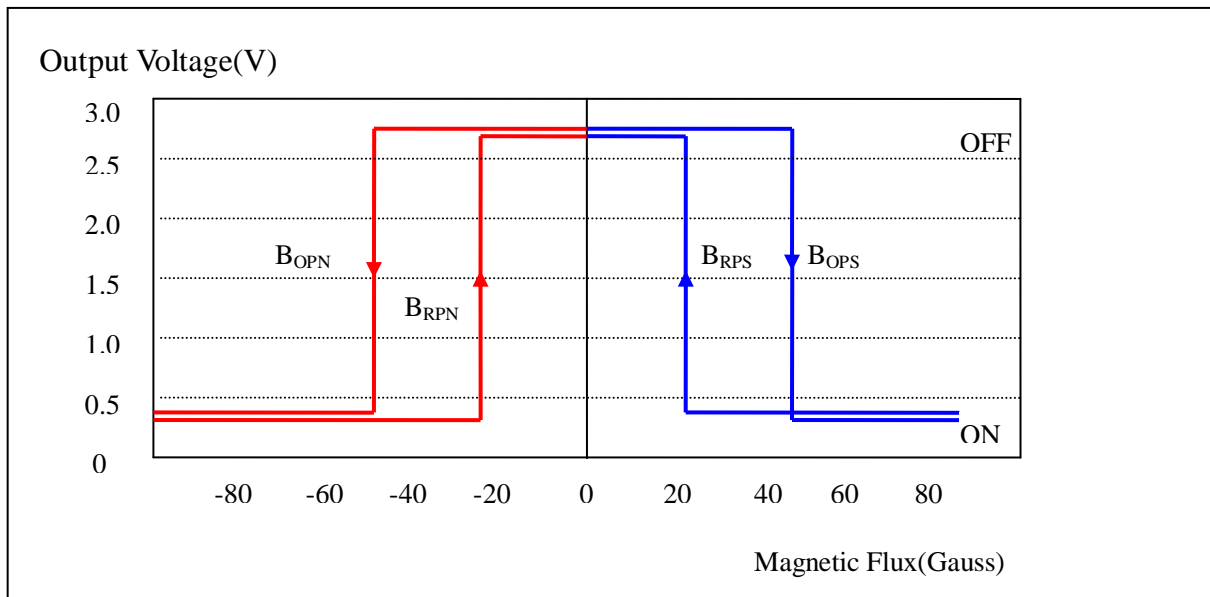
Exceeding the absolute maximum ratings may cause permanent damage. Exposure to absolute-maximum rated conditions for extended periods may affect device reliability.

9. DC Electrical Characteristics

DC Operating Parameters: $T_A = 25^{\circ}C$, $V_{DD} = 2.75V$.

| Parameter | Symbol | Test Conditions | Min | Typ | Max | Units |
|--------------------|-----------|-----------------|-----|-----|-----|---------|
| Operating voltage | V_{DD} | Operating | 2.8 | 3 | 5.5 | V |
| Supply current | I_{DD} | Average | | 5 | | μA |
| Output Current | I_{OUT} | | | | 1.0 | mA |
| Saturation Voltage | V_{SAT} | $I_{OUT}=1mA$ | | | 0.4 | V |
| Awake mode time | T_{AW} | Operating | | 175 | | μS |
| Sleep mode time | T_{SL} | Operating | | | 70 | mS |

10. Magnetic Characteristics



Operating Parameters: $T_A = 25^\circ C$, $V_{DD}=2.75V_{DC}$.

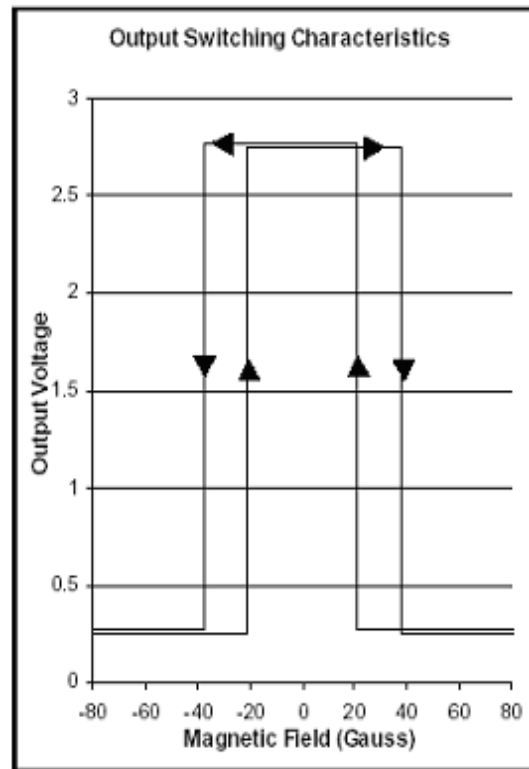
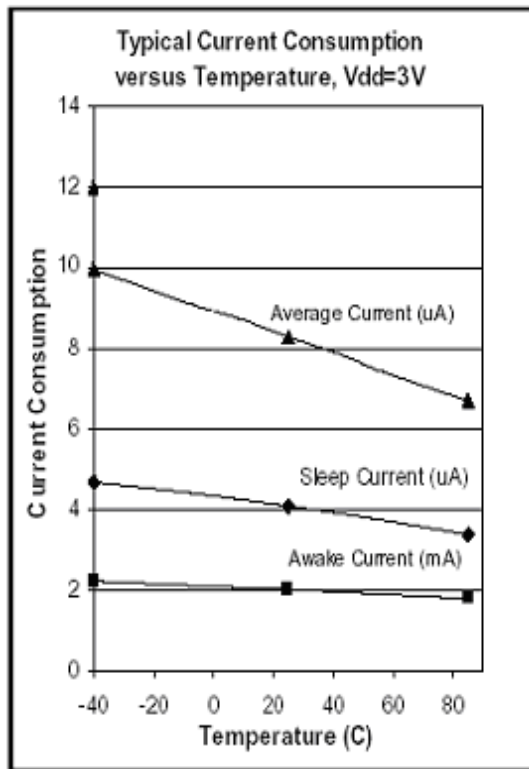
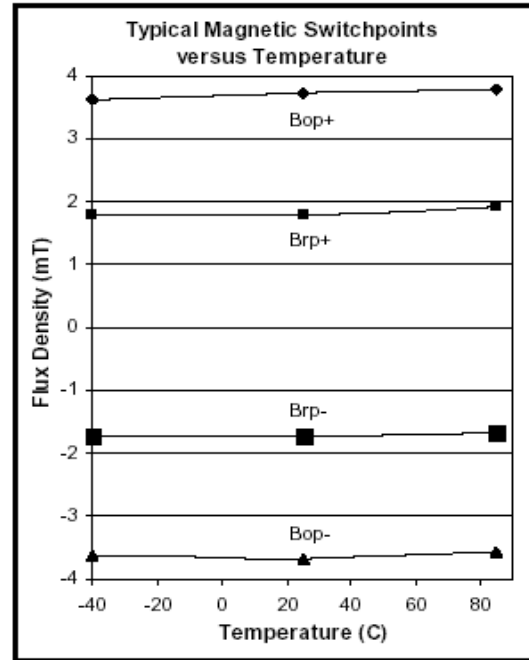
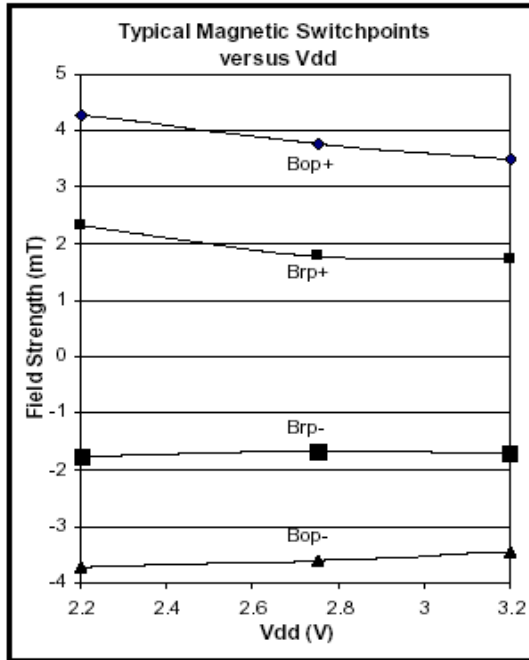
| PARAMETER | Symbol | Min | Type | Max | Units |
|-----------------|--------|------|-------|-------|-------|
| Operating Point | Bop | - | +/-35 | +/-60 | Gs |
| Release Point | Brp | +/-5 | +/-27 | - | Gs |
| Hysteresis | Bhys | - | 8 | - | Gs |

11. ESD Protection

Human Body Model (HBM) tests according to: Mil. Std. 883F method 3015.7

| Parameter | Symbol | Limit Values | | Unit | Notes |
|-------------|-----------|--------------|---------|------|-------|
| | | Min | Max | | |
| ESD Voltage | V_{ESD} | | ± 4 | kV | |

12. Performance Characteristics



13. Unique Features

CMOS Hall IC Technology

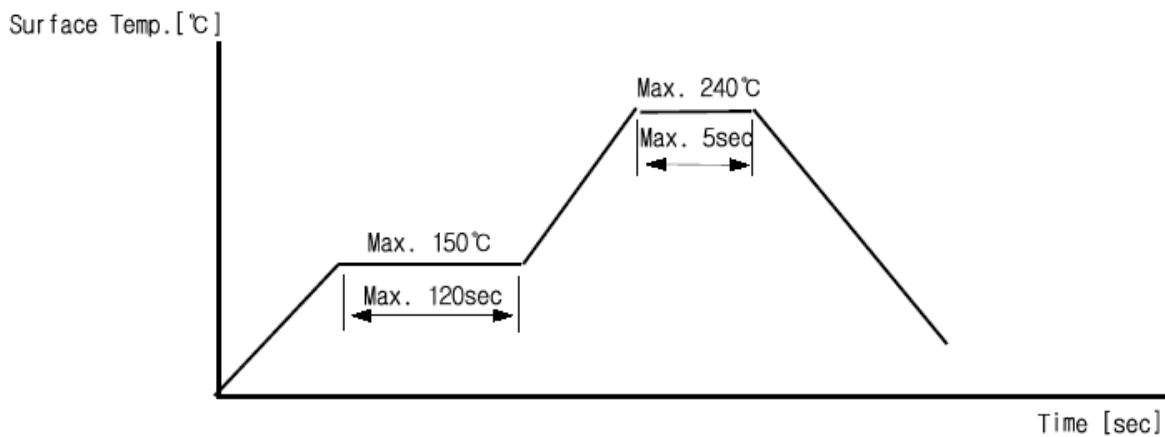
The chopper stabilized amplifier uses switched capacitor techniques to eliminate the amplifier

offset voltage, which, in bipolar devices, is a major source of temperature sensitive drift. CMOS makes this advanced technique possible. The CMOS chip is also much smaller than a bipolar chip, allowing very sophisticated circuitry to be placed in less space. The small chip size also contributes to lower physical stress and less power consumption.

Installation Comments

Consider temperature coefficients of Hall IC and magnetics , as well as air gap and life time variations. Observe temperature limits during wave soldering. Typical IR solder-reflow profile:

- No Rapid Heating and Cooling.
- Recommended Preheating for max. 2minutes at 150°C
- Recommended Reflowing for max. 5seconds at 240°C

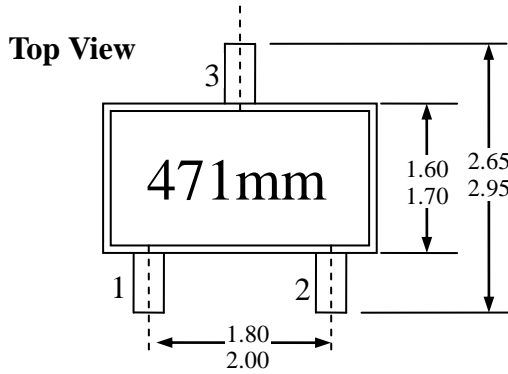


14. ESD Precautions

Electronic semiconductor products are sensitive to Electro Static Discharge (ESD). Always observe Electro Static Discharge control procedures whenever handling semiconductor products.

15. Package Information

15.1 TSOT-23 Package Physical Characteristics

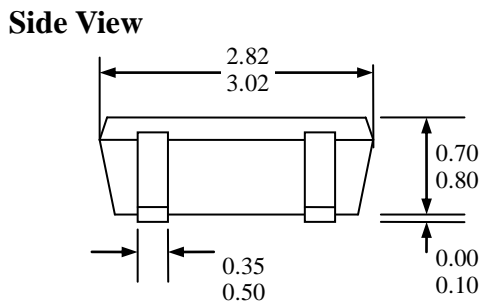


Notes:

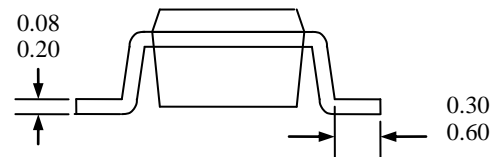
- 1). PINOUT: **Pin 1 VDD**
Pin 2 Output
Pin 3 GND
- 2). All dimensions are in millimeters ;

Marking:

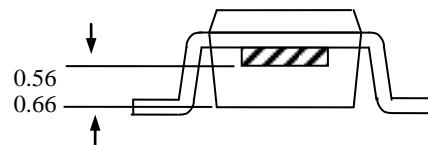
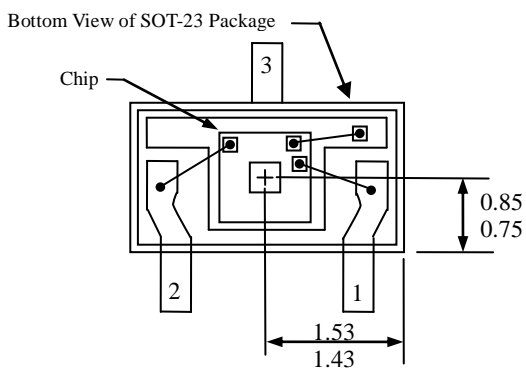
- 47** -- Code of Device (DH471) ;
y -- last 1 digit of year ;
mm -- Production Lot ;



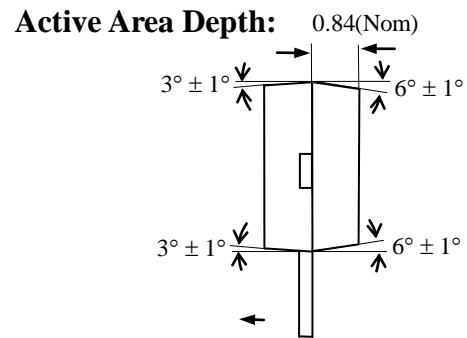
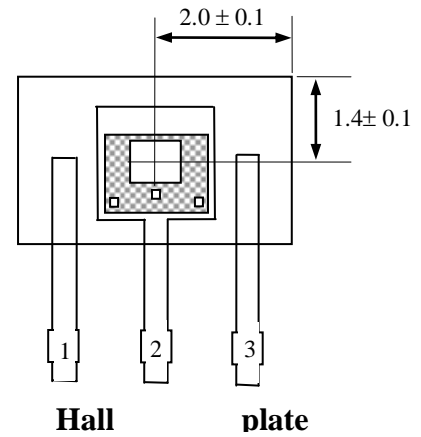
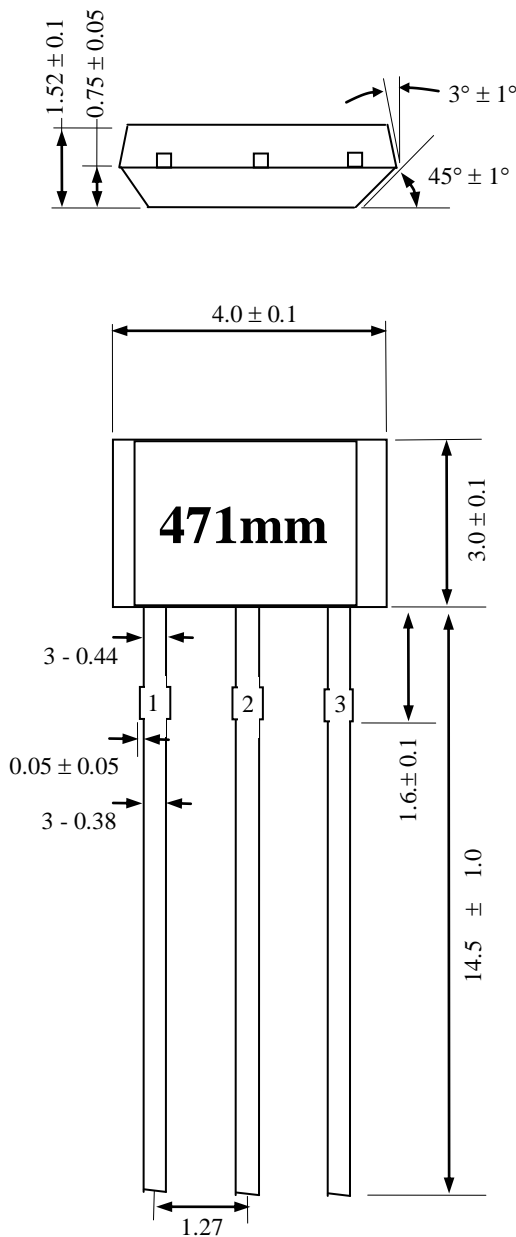
End View



TSOT-23 Package Hall Location



15.2 TO-92 Package Physical Characteristics



Notes:

- 1). Controlling dimension : mm ;
- 2). Lesds must be free of flash and plating voids ;
- 3). Do not bend leads within 1 mm of lead to package interface ;
- 4). PINOUT: Pin 1 VDD
Pin 2 GND
Pin 3 Output

Marking:

- 47 -- Code of Device ;
- y -- last 1 digit of year ;
- mm -- Production Lot ;